

# Snapfit Indicator Lights for 1.282" x .395" Mounting Hole

## 31 SERIES

- RECTANGULAR INDICATOR LIGHTS FOR 1.281" X .395" MOUNTING HOLE
- 1/4" TAB TERMINALS
- NEON OR INCANDESCENT INDICATOR LIGHTS
- VARIETY OF LENS COLORS
- UL AND CSA LISTED • UL FILE E20356 • CSA FILE LR15284-5,8,12,17

### Overview

The 31 Series Rectangular indicators feature a wide variety of lens colors and voltage options. Indicator lights quickly snap fit into a 1.281" x .395" (32.54mm x 10.03mm) mounting hole. Recommended panel thickness range from .020" minimum to .090" maximum. Lenses may be customized with stamped message. Contact your customer service representative for specific ordering information.

### Specifications

**Housing:** white nylon. A black housing is available.

**Bezel:** zinc plated steel. A black anodized bezel is available.

**Lens:** polycarbonate. Lenses may be customized with stamped message.

**Incandescent AC or DC voltage options:** 6, 14 and 28 volts.

**Neon AC or DC voltage options:** 125 and 250 volts.  
**Note:** high brightness green and blue neon lamps supplied in green and blue neon applications.

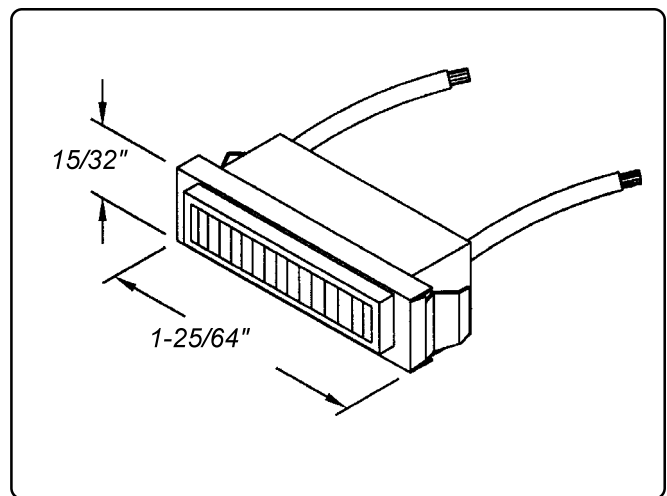
**Wire leads:**

**6" leads:** #18 AWG, black, bare copper, PVC insulated, UL/CSA rated 105° C, stripped 1/2". Custom wire lengths, stripping, termination and wire types are available.

**Terminals:**

**1/4" tabs:** brass, (1/4" length x 0.030" thick).

**3/16" tabs:** brass, (3/16" length x 0.020" thick).



### Can't find it here? We have many more standard and custom solutions

The items in this product sheets are only a small representative sample of the complete VCC product line. We manufacture many additional products which are not shown in this product sheet due to space constraints.

Custom products can also be designed uniquely for you by our Technical Support Professionals. Starting from your ideas and specifications, we work with your personnel to develop timely and cost effective solutions for your miniature lighting needs.

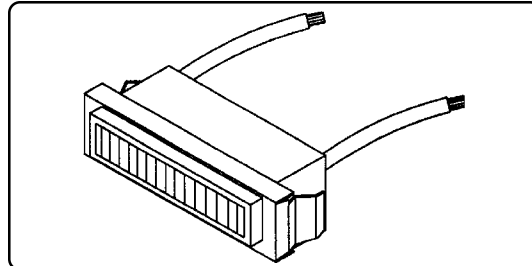
VCC Technical Support Services are provided without charge and may include designs, prototypes and pre-production samples.

**For further information, phone Customer Service at 800.522.5546.**

# Snapfit Indicator Lights for 1.282" x .395" Mounting Hole

## 31 SERIES

Zinc Plated Bezel  
White Nylon Housing  
Neon or  
Incandescent



1/4" Tab Terminals  
SnapFit Mounting  
Variety of Lens Colors

Part Number 1/4" Tab Terminals	Lens Color	Lamp Type	Design Volts	Design Watts or Amps	Life (hrs)
31-2111T	Red	Neon	125	1/3W	25,000
31H-2111T	Red	Neon	250	1/3W	25,000
31G1-2111T	Red	Incandescent	6	.20A	5,000
31G3-2111T	Red	Incandescent	14	.10A	10,000
31G18-2111T	Red	Incandescent	28	.04A	7,000
31-2112T	Green	Neon	125	1/3W	25,000
31H-2112T	Green	Neon	250	1/3W	25,000
31G1-2112T	Green	Incandescent	6	.20A	5,000
31G3-2112T	Green	Incandescent	14	.10A	10,000
31G18-2112T	Green	Incandescent	28	.04A	7,000
31-2113T	Amber	Neon	125	1/3W	25,000
31H-2113T	Amber	Neon	250	1/3W	25,000
31G1-2113T	Amber	Incandescent	6	.20A	5,000
31G3-2113T	Amber	Incandescent	14	.10A	10,000
31G18-2113T	Amber	Incandescent	28	.04A	7,000
31-2114T	Blue	Neon	125	1/3W	25,000
31H-2114T	Blue	Neon	250	1/3W	25,000
31G1-2114T	Blue	Incandescent	6	.20A	5,000
31G3-2114T	Blue	Incandescent	14	.10A	10,000
31G18-2114T	Blue	Incandescent	28	.04A	7,000
31-2115T	White	Neon	125	1/3W	25,000
31H-2115T	White	Neon	250	1/3W	25,000
31G1-2115T	White	Incandescent	6	.20A	5,000
31G3-2115T	White	Incandescent	14	.10A	10,000
31G18-2115T	White	Incandescent	28	.04A	7,000
31-2117T	Clear	Neon	125	1/3W	25,000
31H-2117T	Clear	Neon	250	1/3W	25,000
31G1-2117T	Clear	Incandescent	6	.20A	5,000
31G3-2117T	Clear	Incandescent	14	.10A	10,000
31G18-2117T	Clear	Incandescent	28	.04A	7,000